

# CRUSHERS BLIK 4 ROTORS Q300, Q500, Q700:

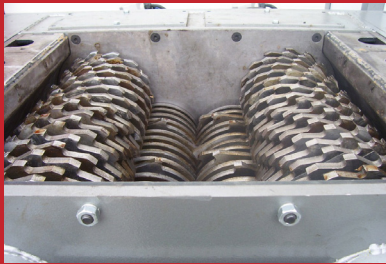


**Size of cutting block:**  
330 - 770 x 230 - 700 mm.

**Power : 3 - 22 kW.**

**Material:**  
Metal, wood, plastic

Crushers «Quadrirotor» allow installation of a calibration grid that stops too large shreds, which are automatically reintroduced in the crusher. We so obtain a result in compliance with the re-use of the waste in a technological process very demanding but very rewarding.



**4 CUTTING SHAFTS**

**CALIBRATION SCREEN**



**CRUSHER :**  
Q500  
**CONFIG :**  
40mm grid  
**Material :** raw material; wood, pallets..



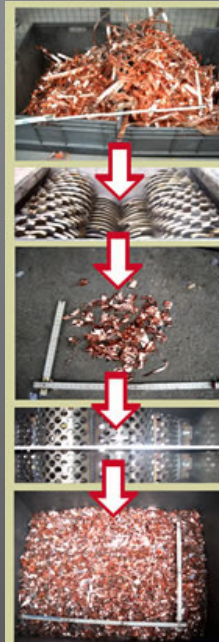
**CRUSHER :**  
Q500  
**CONFIG :** 30mm grid  
**Material :** cardboard boxes



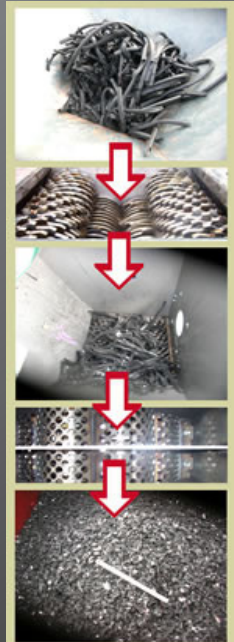
**CRUSHER :**  
Q500  
**CONFIG :** 30mm grid  
**Material :** wooden crates



**CRUSHER :** Q500  
**CONFIG :** 20mm grid  
**Material :** composite fiber-glass-polyester, preshredded by b600



**CRUSHER :**  
Q500  
**CONFIG :**  
30mm grid  
**Material :**  
preshredded copper by b600



**CRUSHER :**  
Q500  
**CONFIG :**  
20mm grid  
**Material :**  
reinforced car joints

# BLIK Q300 CRUSHERS SPECIFICATIONS 4 ROTORS WITH CALIBRATION SCREEN

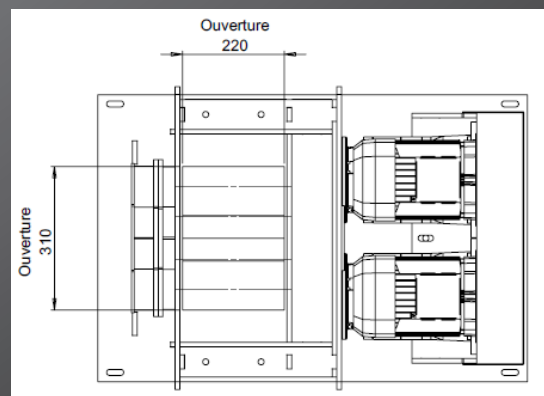
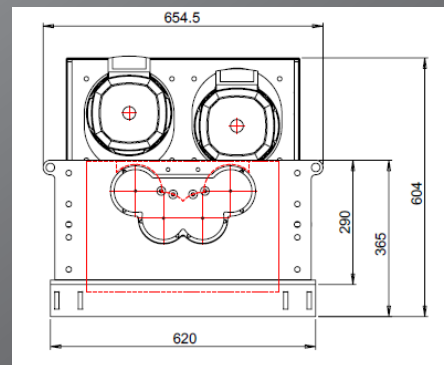
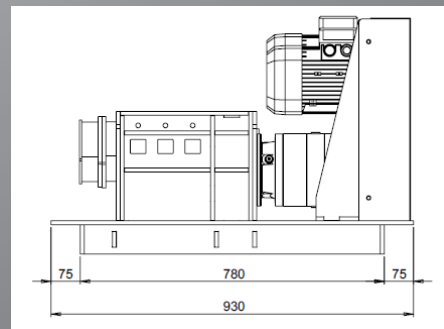


**Q300**



**Q300 INOX**

Blik Q300 Crushers Specifications 4 rotors with calibration screen	
Size of cutting block mm	330 x 230
Hopper opening (mm) / Hopper volume (L)	adaptable
Power (KWN/Hz)	2 x 1,5 = 3 kW / 400 V / 50 Hz
Number of shafts	4
Blade width mm	124
Blade thickness mm	8
Number of blades	56
Rated rotation speed tr/ min	16/12
Number of hooks per blade	1 to 14
Cutting block only dimensions (LongxLargxHaut)	1150 x 620 x 350
Weight approx	370
Electronic control : Automatic reverse- start - stop overload	marche temporisée réglable
Calibration screen : width of perforations	10 à 30mm
Including hopper and standard chassis for container	
<b>Material CE 1 year guarantee</b>	



# BLIK Q500 CRUSHERS SPECIFICATIONS 4 ROTORS WITH CALIBRATION SCREEN

**Cutting block  
535 x 510 mm  
Power: 11 kW**

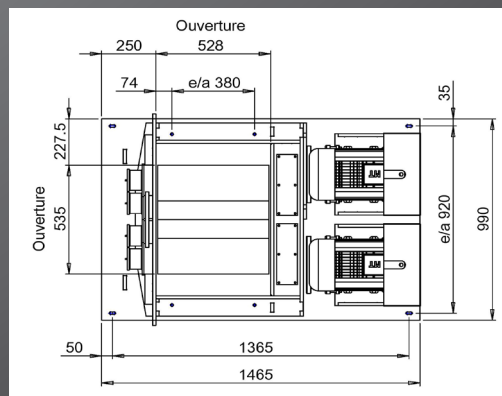
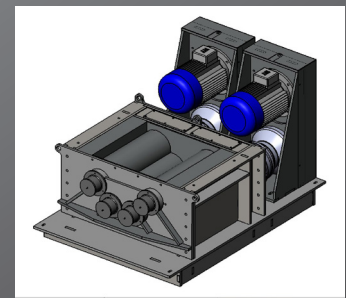
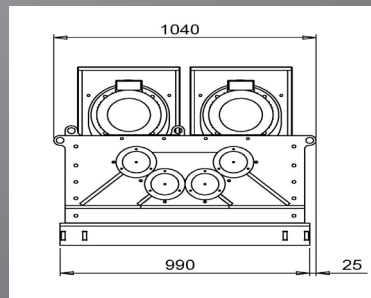
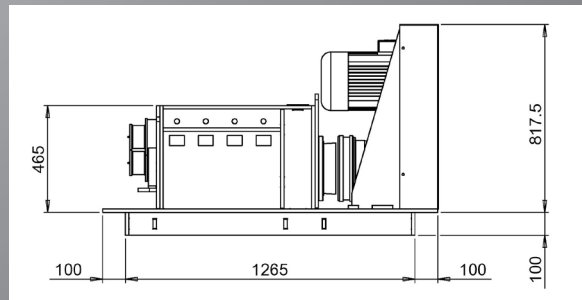


**Q500**

## Blik Q500 Crushers Specifications 4 rotors with calibration screen

Size of cutting block mm	535 x 510
Hopper opening (mm) / Hopper volume (L)	700 x 700 / 300 liters
Power (KWN/Hz)	2 x 5,5 kW=11kW /400V/50Hz
Number of shafts	4
Diameter of blades (mm)	202
Thickness of blades (mm)	12/24/36
Number of blades	84/42/28
Rated rotation speed	15,5/11
Number of hooks per blade	1 to 14
Cutting block size and motor-reducer (LxWxH mm)	2100 x 1147 x 2200
Cutting block size (LxWxH mm)	1746 x 990 x 520
Approx.weight (kg)	1150
Electronic control: automatic reverse-start-stop overload	Yes
Calibration screen: width of perforations	10 to 50mm
Including hopper and standard chassis for container	(L x D x H) 1596 x 1040 x 1266 mm

**CE Material 1 year guarantee**



# BLIK Q700 CRUSHERS SPECIFICATIONS 4 ROTORS WITH CALIBRATION SCREEN



Blik Q700 Crushers Specifications 4 rotors with calibration screen	
Size of cutting block mm	770 x 700
Hopper opening (mm) / Hopper volume (L)	Adaptable
Power (KWN/Hz)	2 x 11 kW=22 kW /400V/50Hz
Number of shafts	4
Diameter of blades (mm)	280
Thickness of blades (mm)	12/20/40
Number of blades	124/74/38
Rated rotation speed	16/12
Number of hooks per blade	1 to 14
dimension du bloc de coupe seul en mm (LongxLargxHaut)	2381 x 1450 x 710
Approx.weight (kg)	2500
Electronic control: automatic reverse-start-stop overload	Yes
Calibration screen: width of perforations	10 to 60mm
Including hopper and standard chassis for container	
Option hydraulic arm available	
<b>CE Material 1 year guarantee</b>	

