

POLY-2000 BLIK PRESSE: Reduction of volume of expanded polystyrene packing

The expanded polystyrene if it is only shredded cannot be used to make chock (too many small balls which is stuck everywhere because of the static electricity). It can on the other hand be tiny room in volume in special machines of type Poly 2000

Reduction of volume by 30 of packing Polystyrene

The POLY-2000 is dedicated specifically to the reduction of volume of packing polystyrene of:

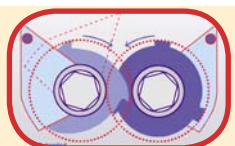
- products electric household appliances, computer equipement
- fresh products such as the fish-cases of the distribution.



The expanded polystyrene is shredded in a first stage then, in a second stage, compacted by means of a screw and of a channel of reserve. By this action the expanded polystyrene is transformed into very dense nonexpanded polystyrene. Volume is tiny room from 30 to approximately 1.

The great volume of the feed hopper (322 liters.) allows to feed the machine in products to be compacted (cases for fish, packing of electric household appliances, chock...), the crushing and the compaction can be carried out without the presence of an operator. The time of functioning is adjustable

One can hang a plastic bag (110 liters or more) at the end of the channel of compaction to collect the compacted product (and possible water in the case of the fish cases).



Blik

BLIK - Matériel de valorisation et traitement des déchets

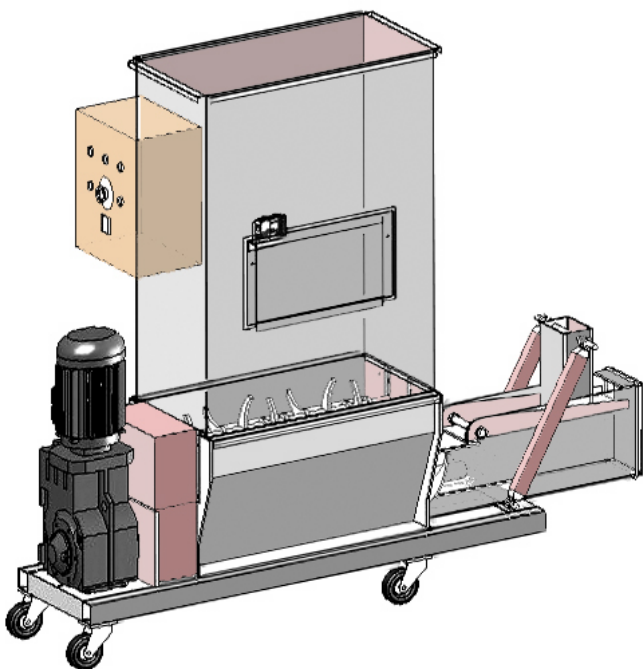
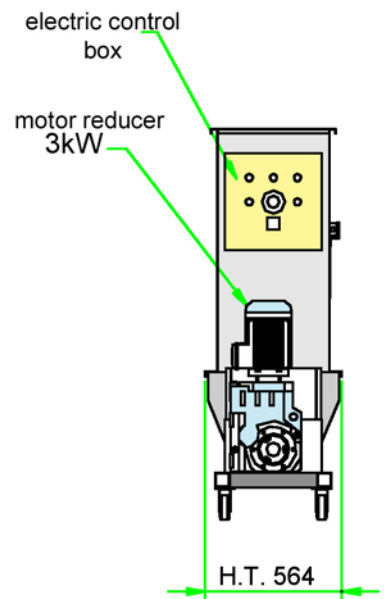
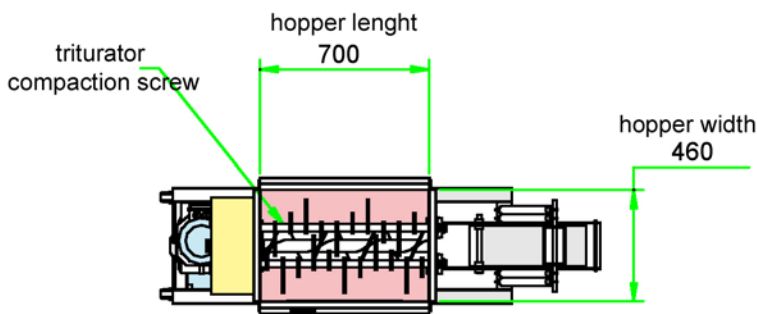
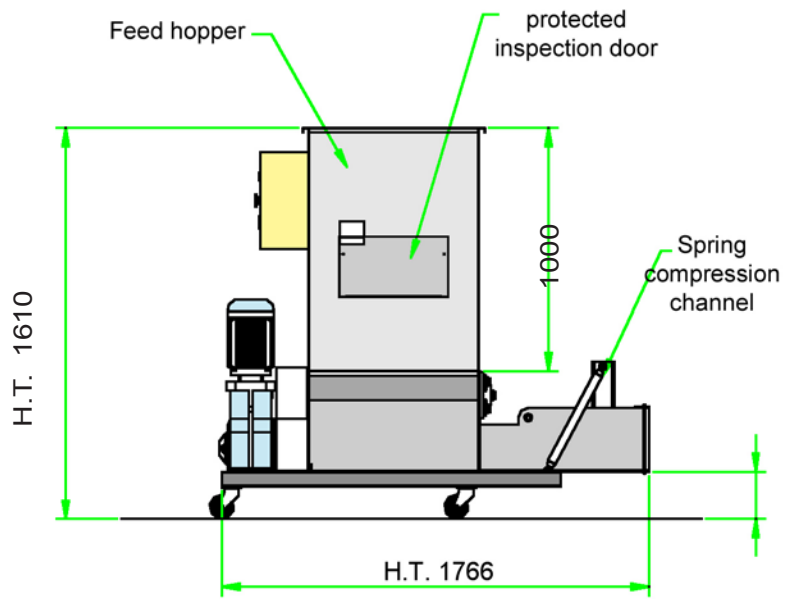


www.blik.fr

Z.I. de Chenet
91490 MILLY-LA-FORET
E.mail: blik@blik.fr

téléphone:
01 64 98 79 79
télécopieur:
01 64 98 79 78

BLIK POLY-2000 PRESS (continuation) :
Reduction of volume of expanded polystyrene packing



<i>Technical specifications</i>	
Section of opening -mm	700 x 460
Height of work	1610 mm
Maximum capacity	160 litres
Time output	30 kg - 4 m ³ /h
Electric power	3 kW
Power supply	Tri-400V-50hz+neutral
Dimensions compacted block	180 x 180 mm
weight approximately	300kg wheels included