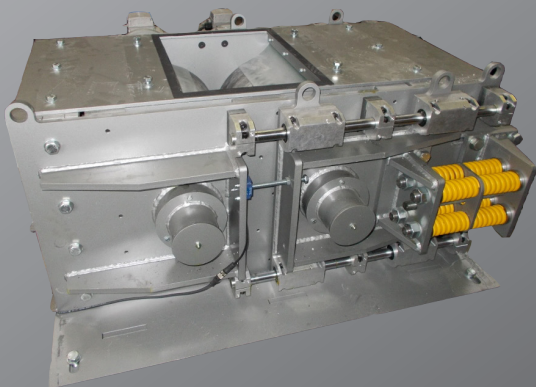
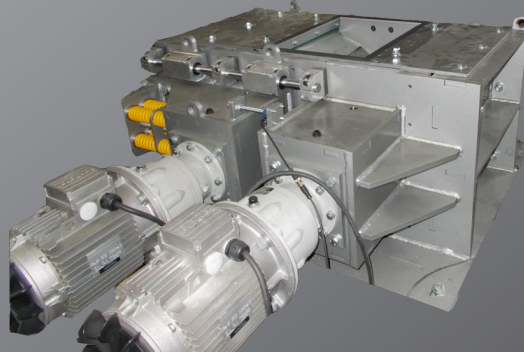


CRUSHING MILL BLIK CYLMA-400

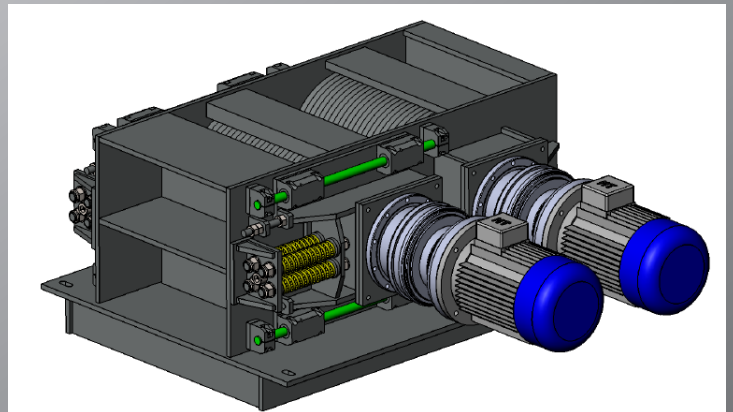
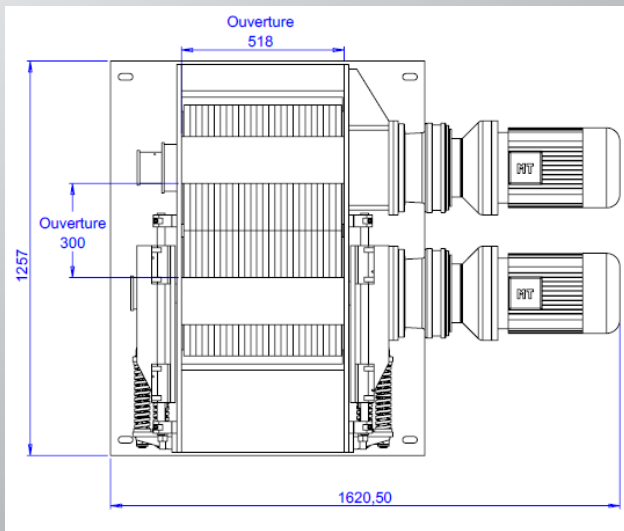
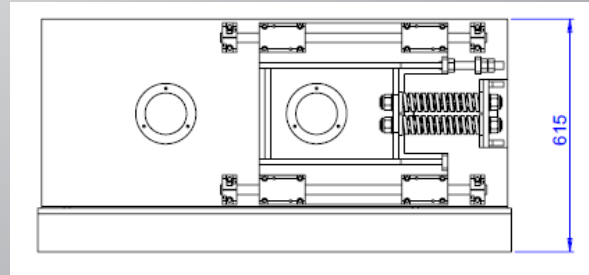
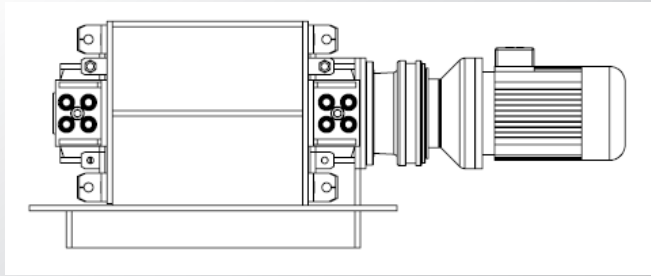
The machine is used separately or coupled with a crusher BLIK to ensure a perfect completion of material for a maximum valorization



A block of a great robustness, a powerful motorization



CRUSHING MILL BLIK CYLMA-400



CRUSHING MILL BLIK CYLMA-200

Cutting block in mm	320*400 mm
Hopper anti rejection protected by removable soft plastic blades / opening	
Engine Power kW/V/Hz	7,5 kW/400V/Hz
Number of shafts	2
Shaft width	340 mm
Number of interchangeable sections on the cylinders (width 20 mm)	50
Rated rotation speed tr/min	330 / 220
adjustment of compensation of wear and spacing between the smooth cylinders	
smooth-wheel rollers, toothed, striated	
Output kg/hr (depends of the product)	800 to 1200 kg/h
pressure on the cylinders maintained by adjustable springs	
anti abrasion steel cylinder standard "hardox"	
Weight machine approx.	1900 kg
electric components Schneider-IP54 -relay of security "préventa"	
ELECTRONIC CONTROL: OVERLOAD INVERSION-RECOVERY-OFF-AUTOMATIC	
MATERIAL «CE» 1 YEAR GUARANTEE	