

# CRUSHERS – SHREDDERS B400 / 370 – 510 – 750 SERIES, 2 ROTORS

## VOLUME REDUCTION & DESTRUCTION OF ORDINARY OR SPECIAL WASTE MATERIALS

Because of their wide range of configurations possibilities, they can easily be adapted to suit an industry's or community's domestic waste and packaging needs.

The B400 series includes models of a power of 11 kw, and of a cutting width from 370 to 750 mm



Crusher BLiK B400  
output endless screw



BLiK B400 crusher in a standard version  
for volume reduction and destruction  
of ordinary waste, O.M., packaging,  
production waste



BLiK B400 Crusher,  
conveyor, Reception  
containers



BLiK B400 crusher with  
articulated hopper

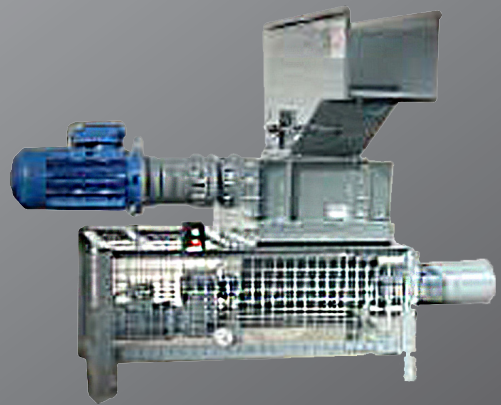
# CRUSHERS – SHREDDERS B400 / 370 – 510 – 750 SERIES, 2 ROTORS



**FREE  
PACKAGING  
SHEETS**

BLiK B400-510 Crusher on 660 liters container

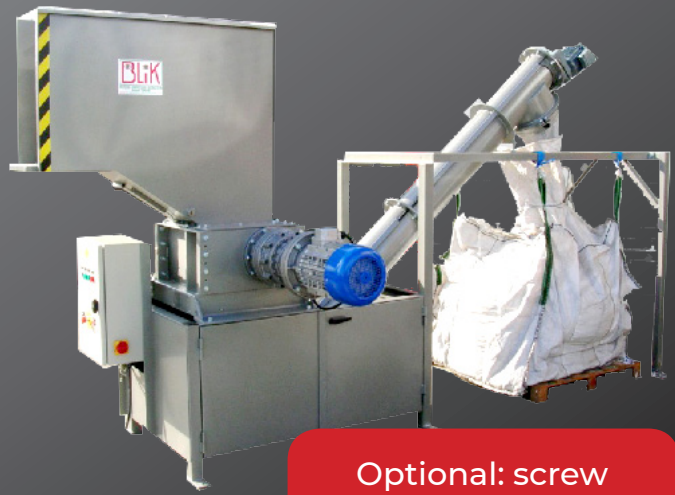
BLiK B400 crusher, non stop screw output and bag for destroying cardboard packaging without flattening. Excellent for making packaging sheets.



BLiK crusher, special "fireproof" version for petrol tanks



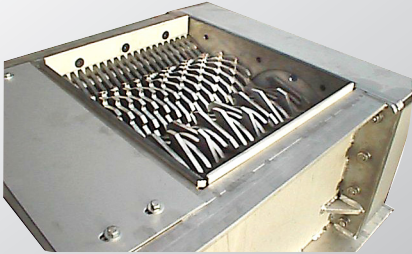
BLiK B400 crusher with endless screw and skip-container



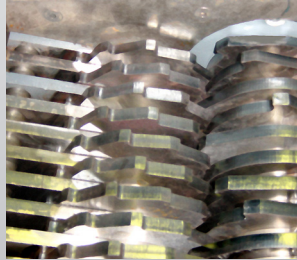
Optional: screw removal, filling Big Bag

# CRUSHERS – SHREDDERS B400 / 370 – 510 – 750 SERIES, 2 ROTORS

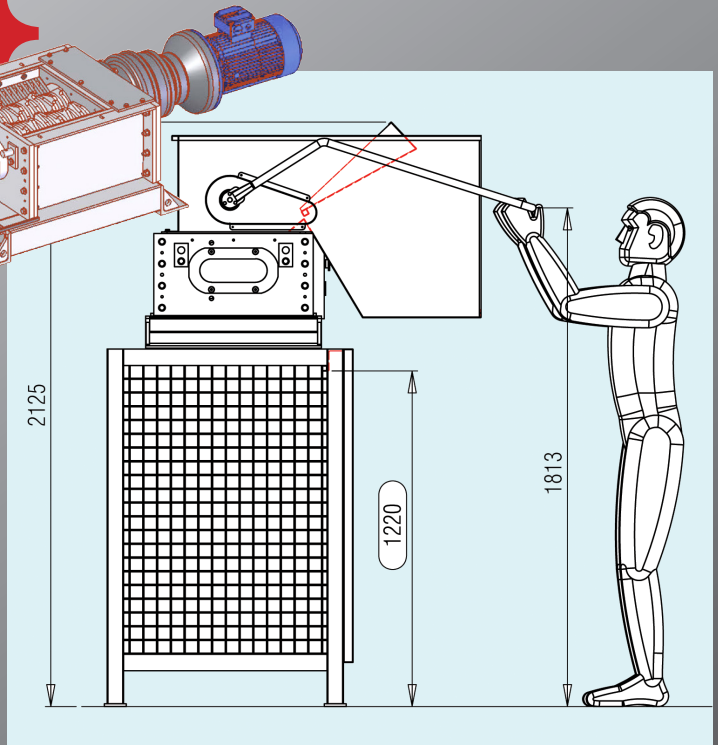
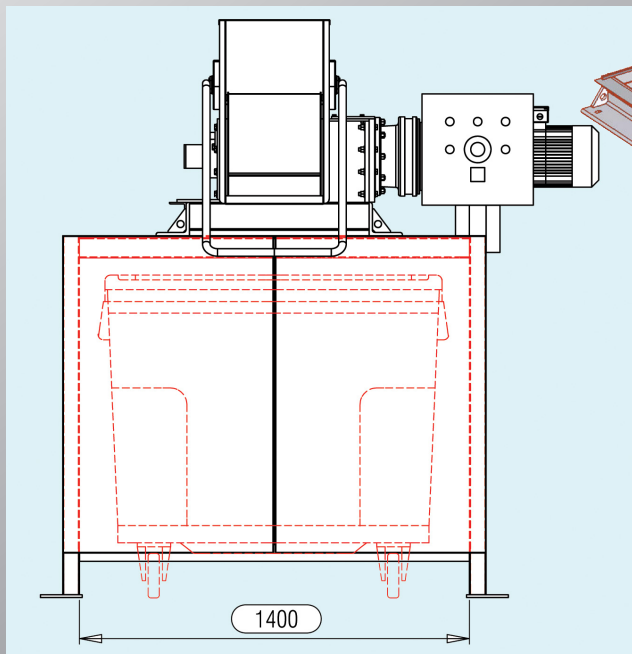
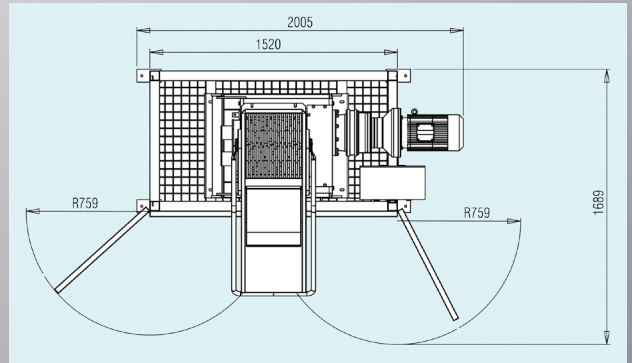
Perfect hygiene, zero corrosion?  
Solution: Stainless steel BLIK (optional)



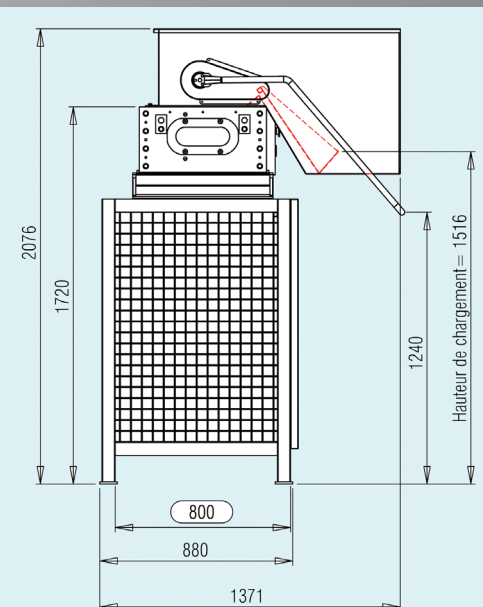
Stainless steel : cutting block and blades



Stainless steel : blades



## SUMMARY BLIK CRUSHERS B400 SERIE



Model	B 400 / 370	B 400 / 510	B 400/750 (**)
Cutting block	420 x 370 mm	420 x 510 mm	420 x 750 mm
Power kW	7,5 to 11 kW 400V Tri 50 hz	7,5 to 11 kW 400V Tri 50 hz	7,5 to 11 kW 400V Tri 50 hz
Hopper Volume (**)	100-170 L	150-200 L	200-250 L
Dimensions (mm) with chassis - L x P x H. (**)	1390x1560x2000	1390x1560x2000	1390x1560x400
Blade width	200-220	200-220	200-220
Blade thickness	6-8-12-24	6-8-12-24	12-24
Number of hooks per blade	1 to 14	1 to 14	1 to 14
Electronic control	Schneider APC with display	Schneider APC with display	Schneider APC with display
Weight	env.500	env.600	env. 700

THE CRUSHERS ARE DELIVERED IN THEIR STANDARD VERSION WITH HOPPER AND CHASSIS

1 YEAR GUARANTEE

(\*) N SUBJECT TO TECHNICAL AND OPTICAL MODIFICATIONS

(\*\*) DEPENDING ON USE AND PLANT