

## BLIK Crushers Special Files and office materials

### Files and office materials: destruction, volume reduction:



large files, packages,  
paperboard boxes



lever binders in bulk  
without disassembly



useless to sort: everything that goes into the hopper will be crushed



an amazing productivity: 300 to 500 kg/hour (B400/510)



binders, metal, anything goes



Cutblocks to «cleaning quick and easy maintenance» are exclusive BLIK protected by patents.

**Baskets and office documents:**  
BB230 SD: hourly output: 80-100 kg

**Workbooks, boxes of archives, computer media:**  
B400: Hourly output: 300 to 500 kg  
B600: Hourly output: de 1000 à 1100 kg



BB230: adapts to any task. Provides excellent confidentiality (knives 8 or 6mm)



**B400 endless-screw-output**  
The B400 and B600 have a record productivity. IT is desirable, if you have large volumes, to automate the output thanks to an endless screw BLIK



**B600 the champion category heavyweights total confidentiality** because of crushed volume



**B840: the champion all categories,** excellent confidentiality because of crushed volume

**Offices, Files, administrations: destruction, reduction of volume:**



brochures, catalogs, printed matter: speed record beaten, residue easy to market

Tickets, coupons, whose destruction is imperative: a few minutes are enough



Crushing of printed and  
Crushing of files on crusher BLIK  
(whole binders)  
Destruction of listing  
Destruction of books



Ends from large reels paper on  
crusher BLIK B400/370  
Significant recovery  
Problem solved waste of space  
400 kg/hour output



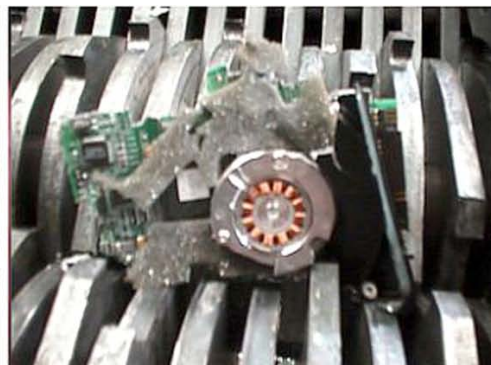
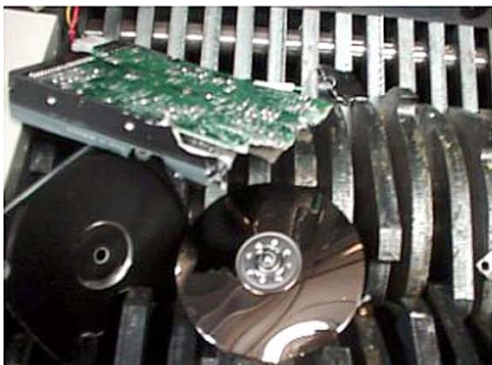
**Banks, telephone, electronics: destruction of cheques, credit cards, etc.**



Shredding and destroying credit cards in a BLiK crusher (credit cards, telephone cards, etc.).

Shredding and destroying cheques. rendement 360 kg /heure couteaux 8mm niveau de sécurité DIN 2

**Destruction of hard drives by B400:**

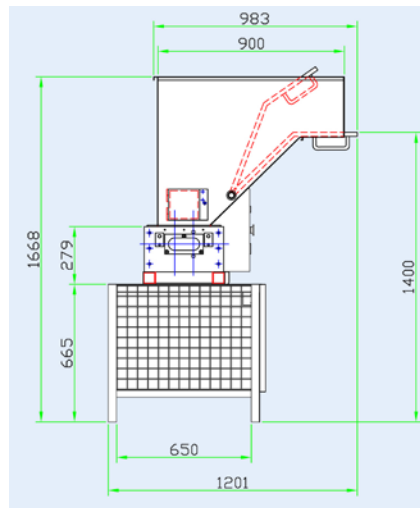


# Destruction of files on CRUSHER BLiK BB 230

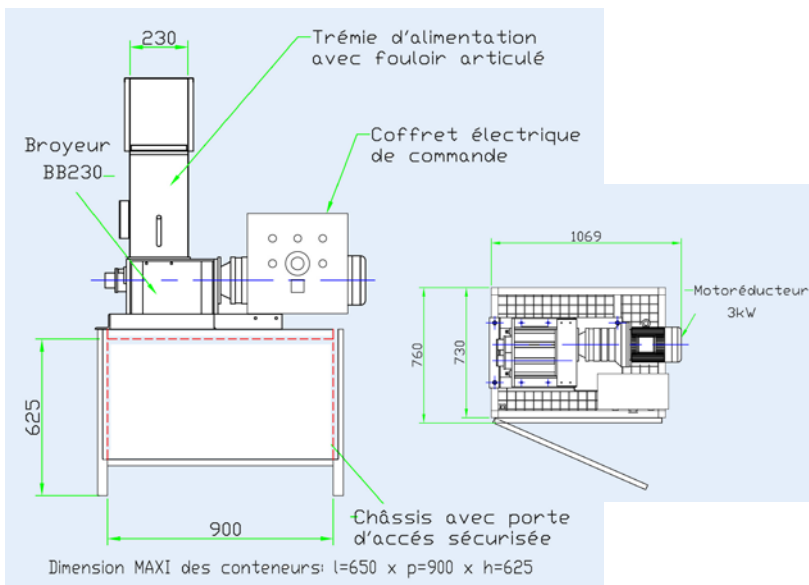
BLIK BB230 Crusher, Special destroying documents and archives



Results obtained with knives 8 mm. For enhanced privacy the crusher can be supplied optionally with knives 6 mm. avec des couteaux de 6 mm.



BB350, wide hopper, with output «BLIK endless screw»



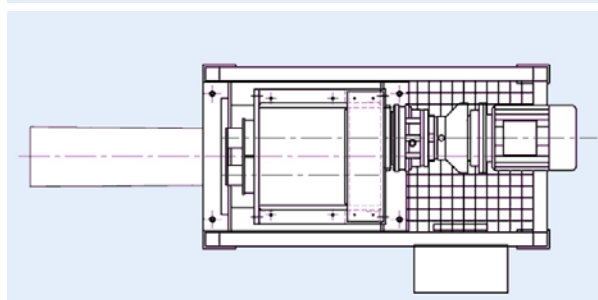
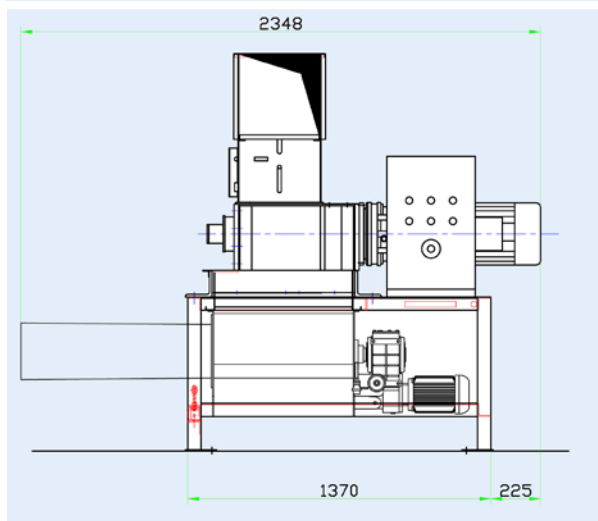
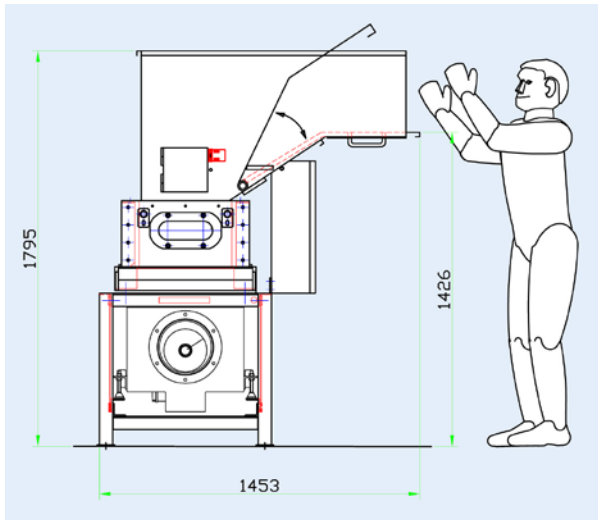
supplied optionally with knives than 6 mm.

## TECHNICAL DATA (\*)

Désignation	BB 230 SD
Dimension Block of Cut mm	265 x 230
kW Power	3 kw
Hopper opening in mm / volume in liters	230 x 900mm / 105 litres
Dimensions (mm) chassis - WxDxH. (**)	730 x 1100 x 1700
Automatic management of the overload by electronic control	
Also exist in special versions adapted to the conditions of use	
Knives thickness (mm)	8 or 6 mm
Rotational speed (*)	16 / 12
Knives diameter	120 mm
Knives. Nb of hooks	3 / 11
noise level (on a empty / loaded) (measured at 1 meter)	60 dB(a) / 75 dB(a)
Electronic control	automate télémechanique
Weight. Approx.	280 kg
Output: K/h-documents	80 to 100 depending on formats
French manufacture - Conformity "EC" - Guarantee 1 year	
(**) No Contract - Subject to technical or optical modifications	
(**) Depends on the use and implementation	

# Destruction of files on CRUSHER BLiK B400

**Hourly output: from 300 to 500 kg**



The crushers «B400» allow the destruction of large quantities of confidential documents at once.

Fragmentation in 12 mm broad particles (in basic configuration) associated with the mixing of the mass of documents contributes to further increase the real confidentiality of the destruction.

It is indeed easier to reconstruct a document even if fine particles are only a few leaves. With regard to ground dozens of kilos at a time, the reconstitution of the puzzle quickly becomes impossible.

The output of 300 with 500kg/h according to the versions and the nature of the products to be destroyed makes it possible to quickly treat the accumulated files and the seasonal jolts of destruction. It leaves the operator time to make another thing while

## Summary of BLiK crushers - B400 series

(*)	B 400 Series TECHNICAL SPECIFICATIONS		
Model	B 400 / 370	B 400 / 510	B 400/750 (**)
Cutting assembly	420 x 370 mm	420 x 510 mm	420 x 750 mm
Power kW	11 230/400 V Tri 50 hz	11 kW 230/400 V Tri 50 hz	9 - 11 kW 230/400 V Tri 50 hz
Hopper volume (**)	100-170 L	150-200 L	200-250 L
Dimensions (mm) with Chassis - L x P x H. (**)	1390 x 1560 x 2000	1390 x 1560 x 2000	1390 x 1560 x 2400
Blade width	200-220	200-220	200-220
Blade thickness	8-6 ou 4 Standard GC	8 - 12 Standard GC x 3	8 - 12 Standard GC x 3
Electronic control	Automate télémécanique	Automate télémécanique	Automate télémécanique
Weight	approx..500	approx..600	approx. 700

Made in France - "CE" certified - 1 year guarantee

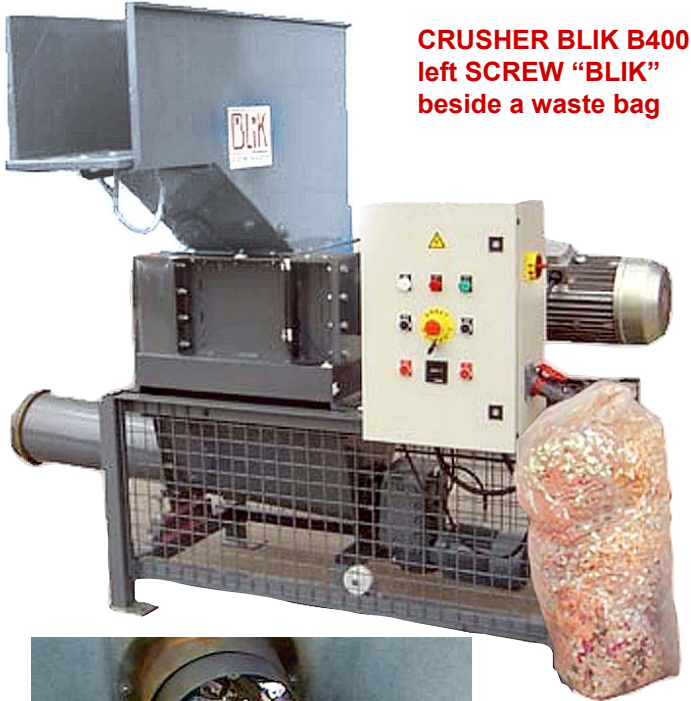
(\*) Subject to technical and optical modifications

(\*\*) depending on use and plant

# Destruction "Bulk" of Documents & Files: CRUSHERS BLiK B400 + Endless screw BLiK

Destruction-volume reduction "clean and quiet"

Already equipped with patented blocks of cut with fast disassembling facilitating cleaning and maintenance, crushers BLiK can be supplemented of an exclusive system of OUTPUT ENDLESS SCREW improving hygiene, reduction of volume and comfort.



**CRUSHER BLiK B400  
left SCREW "BLiK"  
beside a waste bag**



**an unspecified waste  
bag adapts easily  
on the outlet side of  
screw BLiK**



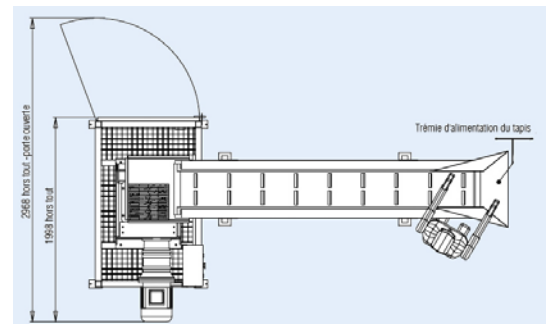
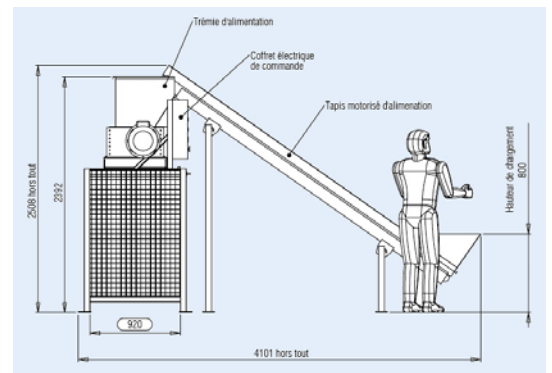
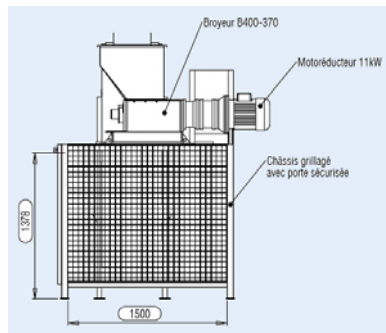
**FREE AND  
ECOLOGICAL  
CHECK**



## Destruction "Bulk" of Documents & Files: CRUSHERS BLiK B400 with articulated hopper



**CRUSHERS BLiK B400-370 with belt conveyor for  
container 1000 liters**

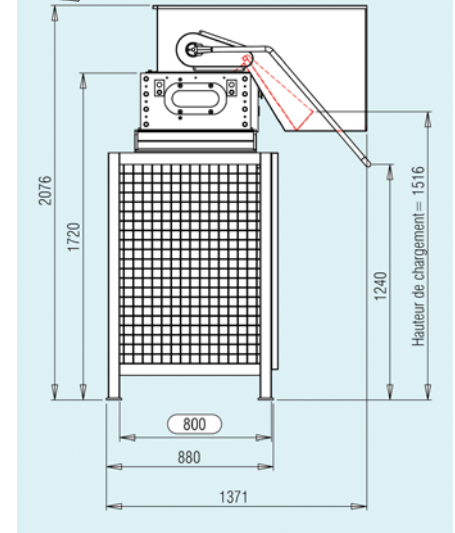
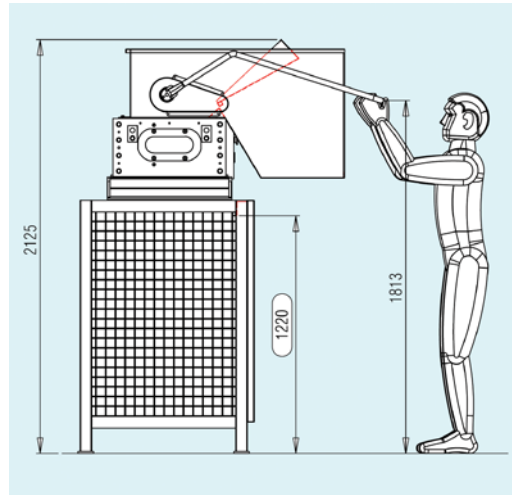
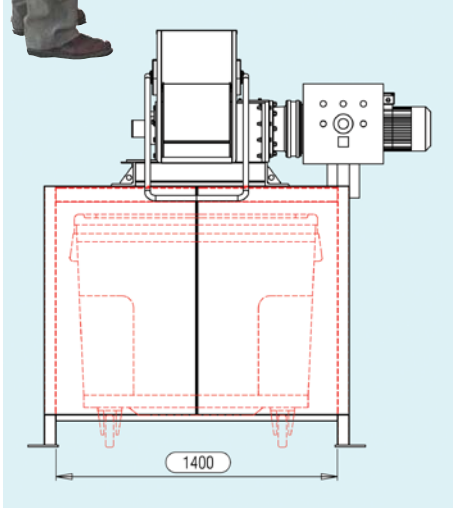


# Destruction "Bulk" of Documents & Files: CRUSHERS BLiK B400 with articulated hopper

New system BLiK of articulated hopper facilitates and accelerates the feeding of the crusher. It is particularly indicated for materials such as: books, booklets, files etc...



The operation is simple and requires little effort. The regular feeding of the crusher makes it possible to optimize the performance



## Destruction of Documents & Files: CRUSHERS BLiK B600-500 and BLiK B840-750 B600-500 et B840-750



**B600** CONTAINER OUTPUT ROLLER FOR DESTRUCTION OF BOOKS AND PRINTED material.

**B600:**  
Hourly output:  
from 1000 to 1100 kg



**B600** HIGH CAPACITY HOPPER DESTRUCTION OF BOOKS PRINTED MATERIALS AND ARCHIVES

# Destruction Documents & Archives

## CRUSHERS BLiK B600-500 and B840-750

*Powerful, Quiet, Adaptable,  
Multi-material*

**S**hredders of the B600 series of shredders are bi-rotor rotary cutters that are characterized by the universality of their applications.

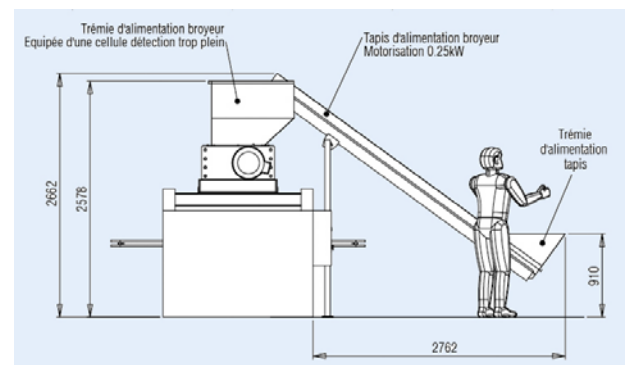
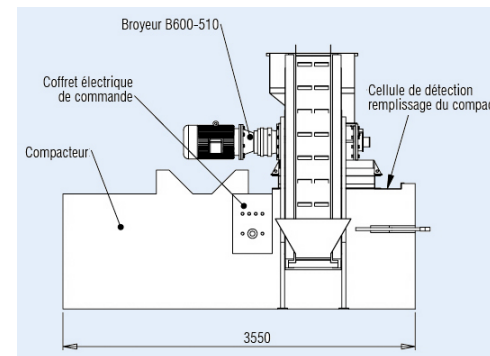
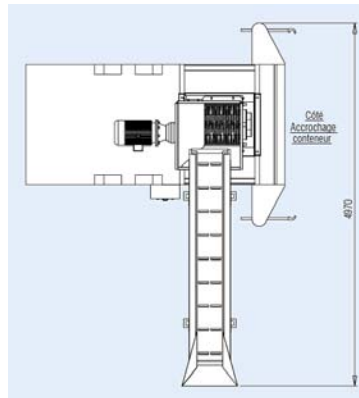
**P**owerful and silent, they are adapted for crushing materials as diverse as wood, metal, rubber, paper, plastics and composites. They have the power to quick clean Cutting exclusive and patented BLiK

**T**he high-strength steel knives are assembled on a hexagonal shaft and can be configured differently according to the nature of materials and the fineness of required destruction.

### GENERAL SPECIFICATIONS (\* ) Serie B600-500 et B840-750

Designation	B600 – 500	B840-750
Dimension Block of Cut mm	600 x 500	758 x 840 mm
kW power	18kw Tri. 400 V 50 hZ	30 kw Tri. 400 V 50 hZ
M3 hopper volume	0,4 - 1	
Cutblock sizes and gearmotor - WxD xH (mm)	1945 x 900 x 515	
Also exist in special versions adapted to the conditions of use		
Rammer of hopper	Optional	
Knives thickness (mm)	12mm	20 mm
Rated speed	19/13	10/21 pm
Knives diameter	Diameter 260-315	Diamrter 500/540 mm
Knives. Nb of hooks	1-3-14	15/19
Electronic control	automate télémécanique	automate télémécanique
Weight. Approx.	1100 kg	3300 kg
The crushers in standard version are delivered in functioning order - Block of cut + motor reducer + Electrical equipment box		
French manufacture - Conformity "EC" - 1 year warranty (*) No contract -Under reserves of engineering or optical changes		

**B840-750** LARGE CAPACITY HOPPER,  
DESTRUCTION OF BOOKS, ARCHIVES AND WIDE FILE



# MOBILE INSTALLATION of BLiK CRUSHER : B400-370 & B600-510



view of the hydraulic motor



Evacuation via screw on the back in a dedicated compartment.



## Summary of BliK mobile series crushers

(*)	CARACTERISTIQUES TECHNIQUES	
Model	B 400 / 370	B 600 / 510
Cutting unit	420 x 370 mm	600 x 510 mm
Power (on-board hydraulic version) requires power take-off on supplying lorry engine approx.	20 HP	30 HP
Hopper volume (**)	100-170 L	0,4 à 1 m3
Dimensions (mm) with chassis - L x D x H. (**)	1390 x 1560 x 2000	1945 x 900 x 515
Blade diameter	200-220	260 - 315
Blade thickness	8-12-24 mm	12 - 24 - 63 mm
crushing paper: kg/heure flow	300 à 500	900 à 1100
Number of spikes	1 à 14	1 à 14
Electronic control	Telemechanic automaton	Telemechanic automaton
Weight	approx.500 kg	approx.1100 kg

Made in France – "EC" conformity – guarantee 1 year

(\*) Non-contractual. Subject to technical or visual modifications

(\*\*) depends on use and installation.